



iota international

An ISO 9001:2008 Certified Manufacturing Company Since 1996

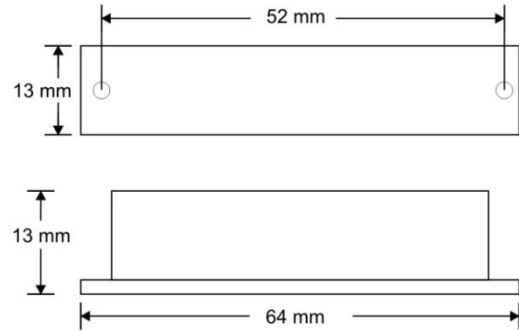
B-47, East Uttam Nagar, New Delhi-110059 (INDIA)

Contact : 9310021697, 011- 28566590 E-mail: sales@iota.in



Manufacturers: Electronic Siren, Piezo Siren, Security Alarm, Motion Sensor Light, LED Light & Accessories

SPECIFICATIONS OF MAGNETIC CONTACT STM402



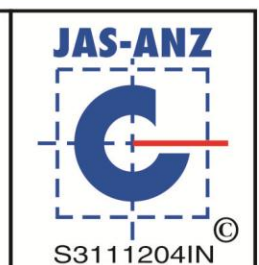
- Model No: STM402.
- Surface mount switches with screw and Adhesive tape (optional) mounting.
- Terminal type for easy mounting.
- 18" long wire leads.
- Operating gap 25mm.
- Color: White/Brown.

Important Notes:

Tones : We can provide all type international and Indian standard Siren/Alarm tones along with customized tones.

Voltage : This product is also available in 6V / 9V / 18V/ 24V DC.

We also welcome customer's design & specifications, For more products log on www.iotasiren.com



www.iota.in